



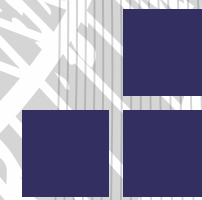
Trident Valves Pvt. Ltd.
Was Established By Mr.Aneel Kakker In The Year 2012

INDEX CONTENTS



TRIDENT VALVES MANUFACTURER OF AUTOMOTIVE TUBE & TUBLESS VALES AND ACCESSORIES

S. NO.	PRODUCT NAME	PAGE NO.
(1)	ABOUT US	1
(2)	OUR CORE VALUE	2-3
(3)	TRUCK AND BUS TUBE VALVES	4-6
(4)	PASSENGER CAR TUBE VALVES	7-9
(5)	TRACTOR VALVES	10-11
(6)	SCOOTER VALVES	12-13
(7)	MOTOR CYCLE VALVES	14-15
(8)	BICYCLE VALVES	16-18
(9)	TUBELESS TYRE VALVES	19-22
(10)	MOPED VALVES	23-24
(11)	OUR ACCESSORIES	25-27



TRIDENT VALVES PRIVATE LIMITED WAS ESTABLISHED BY MR. ANEEL KAKKER IN THE YEAR 2012, with a strong focus on serving the tire and inner tube industries. Since then, we have quickly become a leading manufacturer of high-quality Butyl Tube valves in the country.

Our commitment to research and development, as well as our emphasis on valve quality, has earned us a reputation as a trusted and renowned brand.

Our Product Range:

TRIDENT offers a wide range of valves tailored to the needs of the tire and inner tube industries. Our product line includes:

Tube Valves: We manufacture high-performance tube valves that ensure optimal inflation and pressure retention for inner tubes. This contributes to improved tire performance and safety.

Tubeless Valves: Our tubeless valves are designed to simplify tubeless tire inflation and pressure maintenance. They provide consistent air retention and prevent leaks, making them reliable and convenient.

Specialized Valves: In addition to standard valves, we also produce specialized valves for various applications, such as heavy-duty tires, off-road vehicles, agricultural machinery, and industrial equipment.

At TRIDENT, we are dedicated to providing top-quality valves that meet the unique requirements of our clients in the tire and inner tube industries. Choose TRIDENT for reliable and high-performance valve solutions.

Ensuring Quality:

At TRIDENT, we have one main focus: delivering top-notch quality. We take extensive measures to ensure that our valves surpass the highest industry standards. Throughout the manufacturing process, we implement rigorous quality control methods. With the help of advanced testing equipment and strict inspection procedures, we guarantee that our valves are dependable, durable, and perform exceptionally well.

Customer Satisfaction:

Our customers are our top priority, and we aim to build long-lasting relationships based on trust and satisfaction. We work closely with each client to understand their unique requirements and offer customized valve solutions. Our dedicated customer support team is always ready to provide prompt assistance and exceptional after-sales service.

Quality Policy:

TVPL shall aim to provide consistently, value to our customers in products and services by meeting their quality needs and expectations and continually enhance the effectiveness of the Quality Management System to achieve total customer satisfaction.

OUR CORE VALUE



Commitment to Quality:

Our top priority is delivering products of the highest quality.

To ensure this, we implement rigorous quality control measures throughout our manufacturing processes. We believe that reliable and durable valves are crucial for the safety and performance of tires and inner tubes.

Embracing Technology and Innovation:

We foster a culture of innovation and embrace technological advancements in valve manufacturing. Through ongoing research and development, we constantly seek new ways to enhance valve designs, materials, and functionalities. Our goal is to stay at the forefront of the industry, providing innovative solutions that improve tire performance, increase efficiency, and meet evolving market demands.

Customer-Centric Approach:

Our customers are at the heart of everything we do. We actively listen to their needs and work closely with them to understand their specific requirements. By offering personalized solutions, excellent service, and timely support, we aim to establish long-term partnerships based on trust and customer satisfaction. Our ultimate aspiration is to become the preferred valve supplier for tire and inner tube manufacturers worldwide.

Integrity & Ethics:

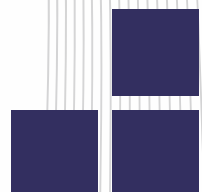
We conduct our business with honesty, transparency, and fairness. We believe in building strong relationships based on trust and mutual respect with our customers, suppliers, employees, and stakeholders. We strive to create an environment of accountability and integrity within our organization.

Continuous Improvement:

We foster a culture of continual learning and excellence. We encourage our staff to expand their knowledge, enhance their skills, and stay updated on industry trends. We create a supportive learning environment that stimulates creativity and empowers our team to deliver exceptional results.

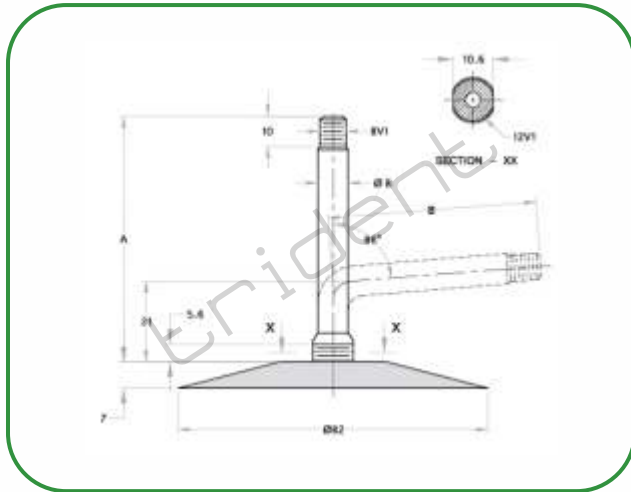
Conclusion:

These core values are the guiding principles of TRIDENT. They shape our company culture and influence every aspect of our business. We are dedicated to providing high-quality valves, embracing innovation, prioritizing customer satisfaction, upholding integrity, practicing environmental responsibility, and pursuing continuous improvement. By adhering to these values, we aim to be a trusted partner in the tire and inner tube industries, contributing to their growth and development.





TRUCK AND BUS TUBE VALVES



PRODUCT TYPE		A	B	CORE	ACCESSORIES			
TRIDENT	BIS NO.				Cap	Bridge Washer	Ring Washer	HEX NUT
TR75A	A97 5 82	97	80	TRC1 SHORT	TR VC 2 TR VC 3 TR VC 8	TR BW 2 TR BW 3	TR RW 3	TR HN1
TR76A	AA6 5 82	106	89					
AB1582	AB1 5 82	111	94					
TR177A	AB4 5 82	114	97					
TR77A	AC3 5 82	123	106					
TR175A	AD4 5 82	134	117					
TR78A	AE7 5 82	147	130					
TR179A		160						





PRODUCT TYPE		A	B	CORE	ACCESSORIES			
TRIDENT	BIS NO.				Cap	Bridge Washer	Ring Washer	HEX NUT
TR75A	A97 5 82	97	80	TRC1 SHORT	TR VC 2 TR VC 3 TR VC 8	TR BW 2 TR BW 3	TR RW 3	TR HN1
TR76A	AA6 5 82	106	89					
AB1582	AB1 5 82	111	94					
TR177A	AB4 5 82	114	97					
TR77A	AC3 5 82	123	106					
TR175A	AD4 5 82	134	117					
TR78A	AE7 5 82	147	130					
TR179A		160						





PASSENGER CAR TUBE VALVES



PRODUCT TYPE		A	ØB	ACCESSORIES	
TRIDENT	BIS NO.			CORE	CAP
TR 13	B35557	35	11.7	TR C1 SHORT	TR VC8
TR 13(R)		35	11.7		
TR 14	B35457	35	13.1		
TR 15	B35557	35	16.5		





PRODUCT TYPE	A	ØB	ACCESSORIES	
			CORE	CAP
TRIDENT				
B 57 3 57	57	11.7	TRC1 SHORT	TRVC8
B 46 3 57	46	11.7		





TRACTOR VALVES

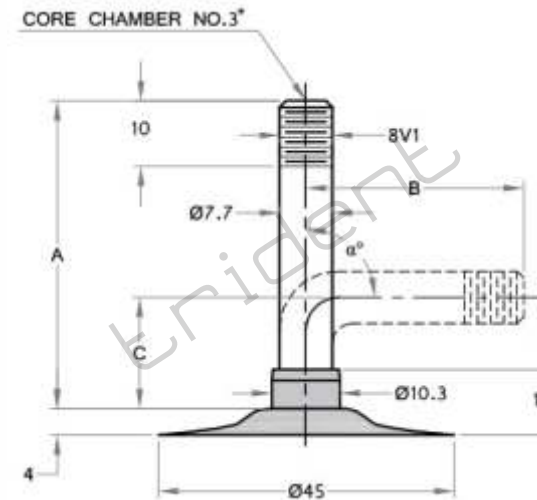


PRODUCT TYPE		A	ØD	ACCESSORIES	
TRIDENT	TR NO			CORE HOUSING	RIM NUT
TR 218A (Ø63)	218A	20	63	TR CH3	LN 10
TR 220A (Ø63)	220A	30.2	63		
TR 218A (Ø82)	218A	20	82		
TR 220A (Ø82)	220A	30.2	82		





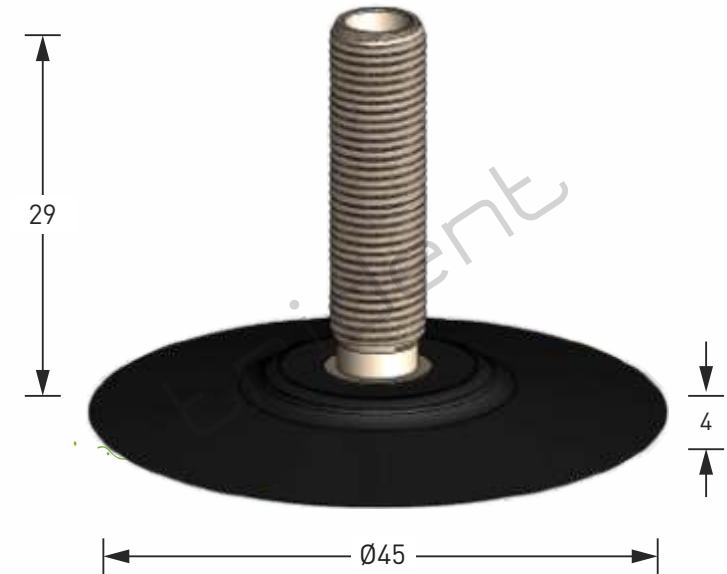
SCOOTER VALVES



PRODUCT TYPE		A	B	C	α°	ACCESSORIES	
TRIDENT	BIS NO					CORE	CAP
V1-08-01(BS)	A47 2 45	47	33	17	90	TR C1 SHORT	TR VC8
V1-08-03(BS)	A40 2 45	40	25	15	55		



MOTOR CYCLE VALVES



PRODUCT TYPE		ACCESSORIES			
TRIDENT	BIS NO	CORE	CAP	RING WASHER	HEX. NUT
TR29/TR4	A29 145	TR C1 SHORT	TR VC2	TR RW12 OR TR RW12A	BN1
			TR VC3		
			TR VC8		





BICYCLE VALVES



PRODUCT TYPE			ACCESSORIES	
TRIDENT	TR NO	ETRTO	CORE	CAP
TR 1	TR1	V1.04.1	TR C1 SHORT	TR VC2
				TR VC3
				TR VC8





PRODUCT TYPE		
PRODUCT	IS	ETRTO
TR1	532	VI.04.1





TUBELESS TYRE VALVES



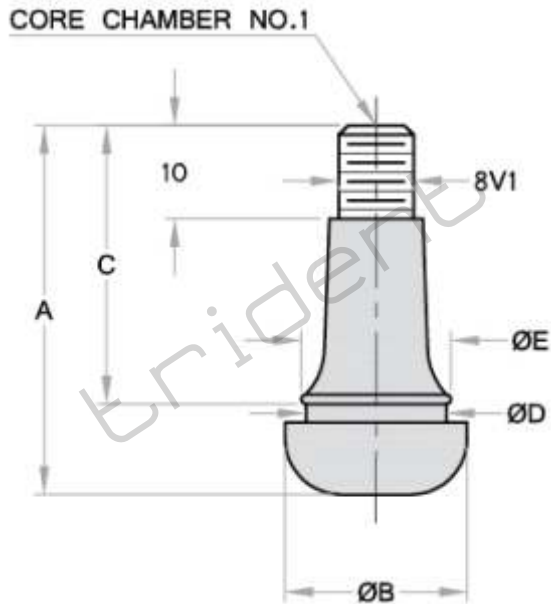
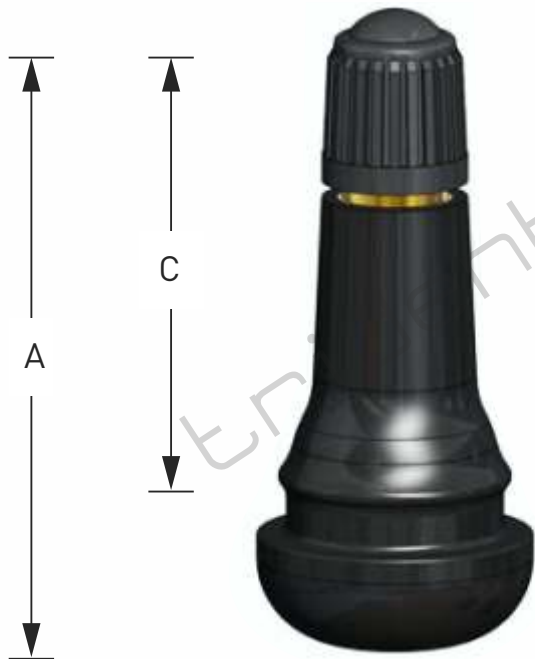
PRODUCT TYPE		VALVE HOLE SIZE	ACCESSORIES	
PRODUCT	TR NO		CORE	CAP
TR 412	412	Ø 11.3 +0.4	TR C1-INS	TYPE CL
				TR VC8





PRODUCT TYPE		L	VALVE HOLE SIZE	ACCESSORIES	
PRODUCT	JATMA			CORE	CAP
PVR70	PVR70	30	$\varnothing 11.3 +0.4$	TR C1-INS	TYPE CL TR VC8





PRODUCT TYPE		VALVE HOLE SIZE	A	ØB	C	ØD	ØE	ACCESSORIES	
PRODUCT	TR NO							CORE	CAP
TR 413	413	Ø 11.3 +0.4	42.5	19.5	32	15	16	TR C1-INS	TYPE CL TR VC8
TR414	414	Ø 11.3 +0.4	48.5	19.5	38	15	16		
TR414L		Ø 11.3 +0.4	56.5	19.5	46	15	16		
TR418	418	Ø 11.3 +0.4	61.5	19.5	51	15	16		
TR415	415	Ø 15.7 +0.4	42.5	24	31.8	19.2	20.2		





MOPED VALVES



PRODUCT TYPE		ACCESSORIES			
TRIDENT	BIS NO	CORE	CAP	RING WASHER	HEX. NUT
4116M	A29132	TR C1 SHORT	TR VC2	TR RW12	BN1
			TR VC3		
			TR VC8		





ACCESSORIES



HEXAGONAL NUTS



RIM NUTS



WASHERS



CORE HOUSING



ADAPTER FOR CURING
BAG VALVE – CBA 1



BRIDGE WASHERS



HEX NUTS & LOCK NUTS



LOCK NUTS – T-LN 53



METAL VALVE CAPS



PLASTIC VALVE CAPS



PROTECTOR FOR VALVE CAPS



RIM NUTS - TR LN 10

SL NO.	TUBE SIZE	VALVE SIZE
HEAVY TRUCK & OTR		
1	25.5-25	TRJ1175C
2	23.5-25	TRJ1175C
3	20.5-25	TRJ1175C
4	18.00-24/25	TRJ1175C
5	17.5-25	TRJ1175C
6	16.00-24/25	TRJ1175C
7	15.5-25	TRJ1175C
8	13.00/14.00-24/25	TRJ1175C
9	13.00/14.00-24/25	TR 179A
10	12.00-24	V3-06-5
11	12.00-24	TR 78A
12	12.00-24	TR 78A
13	12.00-24	V3-06-05
14	12.00-24	TR 78A
15	16.00-20	TRJ1175C
AGRICULTURE RANGE		
16	18.4 - 34	TR 218A
17	15.5/16-38	TR 218A
18	15.5-38/16.9-38	TR218A
19	14.9/13-38	TR 218A
20	13.6/12-38	TR 218A
21	13.6 - 36	TR 218A
22	12.4/11-36	TR 218A
23	18.4/15-30	TR 218A
24	18.4/15-30	TR 218A
25	16.9/14-30	TR 218A
26	16.9/14-28	TR 218A
27	14.9/13-28	TR 218A
28	13.6/12-28	TR 218A
29	12.4/11-28	TR 218A
30	16.9 - 24	TR 218A
31	14.9/13-24	TR 218A
32	13.6/12.4-24	TR 218A
33	12.4/11-24	TR 218A
34	9.5 - 24	TR 218A
IMPLEMENT TYPE		
35	8.00-19	TR 14
36	7.00-19	TR 14
37	6.00-19	TR 14
38	5.00-19	TR 14
39	12.5/80-18	TR 218A
40	12.5/80-18	TR15
41	7.50-18	TR15

SL NO.	TUBE SIZE	VALVE SIZE
IMPLEMENT TYPE		
42	10.50-16	TR 15
43	9.00-16	TR 75A
44	9.00-16	TR 75A
45	9.00-16	TR 15
46	9.00-16 LV	TR 75A
47	9.00-16 LV	TR 15
48	9.00-15	TR 75A
49	9.00-15	TR 15
50	8.25-15	TR 75A
51	8.15-15	TR 75A
52	2.50 - 15	TR 77A
53	3.00 - 15	TR 77A
54	7.00-12	JS2
55	7.00-12	TR75A
56	6.00-12	JS2
57	5.00-12	TR 13
58	6.50-10	TR 13
59	6.00-10	TR 13
60	6.00-9	JS2
61	5.00-8	JS2
62	5.00-8	JS2
TRUCK & LIGHT COMMERCIAL VEHICLE		
63	12.00-22	TR 78A
64	11.00-22.5	TR 78A
65	11.00-22	TR 78A
66	14.00-20	TR 179A
67	14.00-20	TR 179A
68	13.00-20	TR 179A
69	12.00-20	V3-06-05
70	12.00-20	TR 78A
71	11.00-20	V3-06-05
72	11.00-20	TR 78A
73	10.00-20	V3-06-05
74	10.00-20	TR 78A
75	10.00-20	TR 78A
76	9.00-20	V3-06-05
77	9.00-20	TR 175A
78	9.00-20 LV	TR 175A
79	8.25-20	TR 15
80	8.25-20	TR 175A
81	7.50-20	V3-06-05

SL NO.	TUBE SIZE	VALVE SIZE
TRUCK & LIGHT COMMERCIAL VEHICLE		
82	7.50-20	TR 175A
83	7.00-20	TR 75A
84	6.50-20	TR 15
85	8.25-16	TR 75A
86	8.25-16	TR177A
87	8.25-16	TR77A
88	8.25-16	TR175A
89	7.50-16	TR 15
90	7.00/7.50-16	V3-06-05
91	7.00/7.50-16	TR 75A
92	7.00/7.50-16	TR 15
93	7.00/7.50-16	TR177A
94	7.00/7.50-16	TR77A
95	7.00/7.50-16	TR175A
96	7.00/7.50-16	TR13
97	6.50/6.00-16	V3-06-05
98	6.50/6.00-16	TR 75A
99	6.00-16	TR13
100	6.00 -16	TR177A
101	6.50/6.00-16	TR 15
102	6.50/6.00-16	TR 15
103	6.00/6.50-15	TR 75A
104	7.00/7.50-15	TR 75A
105	7.00/7.50-15	TR 15
106	7.00/7.50-15	TR13
PASSENGER RADIAL		
107	205R16	TR 13
108	205/235R16	TR 75A
109	205/215/70R15	TR 13
110	215/235/75R15	TR 13
111	195/205 R15	TR 13
112	175/185/80R15	TR 13
113	185/195 R 15	TR 13
114	5.90-15	TR 13
115	H78-15	TR 13
116	F78-15	TR13
117	215R14	TR 13
118	195/80R14	TR 13
119	185/6.50-14	TR13
120	185/6.50-14	TR13
121	5.20-14	TR13
122	155/165-13	TR13
123	155/165-13	TR13
124	4.50-12	TR13
125	5.65-12	TR13

SL NO.	TUBE SIZE	VALVE SIZE
TWO/THREE WHEELER		
126	3.50-7	TR13
127	3.50-8	V10803
128	4.00-8	V10803
129	4.00-8	TR 87
130	3.00-10	V10801
131	3.50-10	V10801
132	3.50-10	TR 87
133	90/100-10	V10801
134	4.50/5.00-10	TR29
135	90/90-12	V10801
136	2.75/3.00-14	TR4 / TR29
137	130/90-15	TR4 / TR29
138	2.25/2.50-16	TR4 / TR29
139	3.25/3.50-16	TR4 / TR29
140	110/90-16	TR4 / TR29
141	120/80-16	TR4 / TR29
142	2.75/3.00-17	TR4 / TR29
143	2.25/2.50-17	TR4 / TR29
144	460-17	TR4 / TR29
145	100/90-17	TR4 / TR29
146	120/80-17	TR4 / TR29
147	140/60-17	TR4 / TR29
148	2.25/2.50-18	TR4 / TR29
149	2.50/2.75-18	TR4 / TR29
150	2.75/3.00-18	TR4 / TR29
151	3.50-18	TR4 / TR29
152	4.10-18	TR4 / TR29
153	100/90-18	TR4 / TR29
154	120/80-18 & 150/80/18	TR4 / TR29
155	2.00/2.25-19	TR4 / TR29
156	3.00/3.25-19	TR4 / TR29
157	90/90-19	TR4 / TR29
158	3.00-21	TR4 / TR29



SCAN TO VIEW OUR VCARD



Trident Valves Pvt. Ltd.

(+91) 9313612155, 9811554315 

info@tridentvalves.com 

www.tridentvalves.com 

Reg. Add: Killa No. 21/22/2/2 Libaspur Road Bahalgarh - 131021
District Sonipat Haryana INDIA 